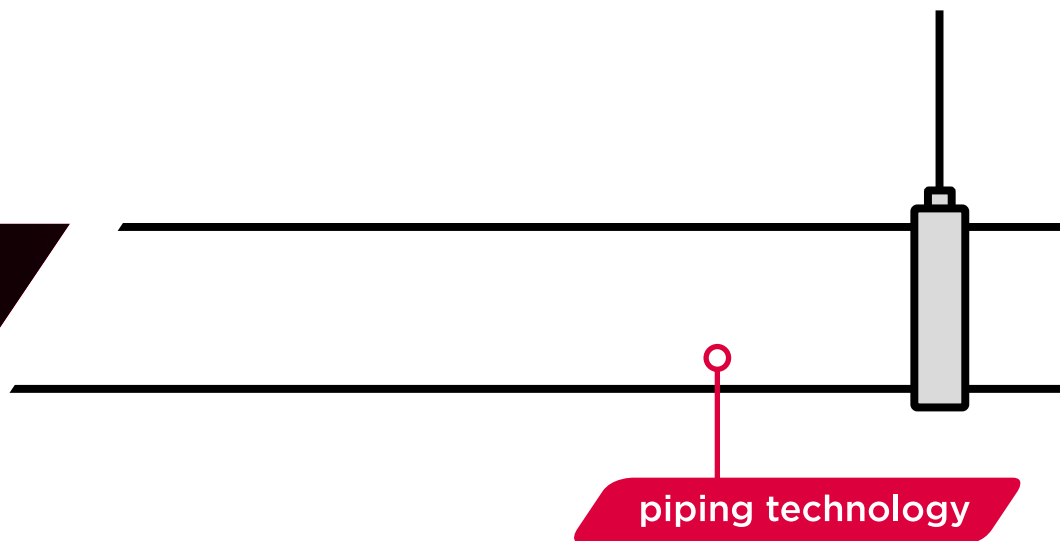


VSH XPress Stainless 304



Aalberts integrated piping systems

don't just buy
products,
buy solutions.



we are Aalberts integrated piping systems

Aalberts integrated piping systems engineers the most advanced integrated piping systems for the distribution and control of liquids and gases for key verticals, like industrial, utilities, commercial and residential. We offer fully integrated piping systems in valve, connection, fastening and piping technology. We work hand-in-hand with our customers to create the perfect integrated piping system, that meets their requirements. Our piping systems are easy to specify, install, control and maintain, saving important preparation and installation time. We meet the highest quality and industry standards needed in the selected verticals. We are the only business that truly offers its customers a single sourced and complete integrated piping solution, each and every time.

Don't just buy products, buy solutions.

our mission

With our integrated piping systems, supported by our unique Digital Design Service, we ensure that you will always get the best and easiest solution for the installation of an integrated piping system. From the moment that your plan is designed, you can get advice on complete and tailored solutions. With our Revit Plug-in you have digital access to the complete product offering within Aalberts integrated piping systems. This information is always accessible and up to date, allowing the design of an optimal and economically attractive installation that will meet all your demands. So whether the task is project conception, installation, or on-going maintenance, we are the company that truly delivers a complete system and service offering. Our know-how, our can-do attitude, and our relentless innovation come as standard. We will sweat the small stuff in our quest to find the perfect solutions, even if we have to invent them.

This is how we deliver excellence.

our way of working

We operate from various regions around the globe: America, EMEA and APAC. As we have multiple locations in many countries, we are always close to our customers. More than 3500 mission critical employees are persistent to offer the best integrated piping system. They work on our products, solutions and services every day. No matter how big the opportunity is, when we say we've got this, we won't let go until there is nothing left to learn. We improve ourselves by exchanging knowledge and experience to stay ahead of our competitors.

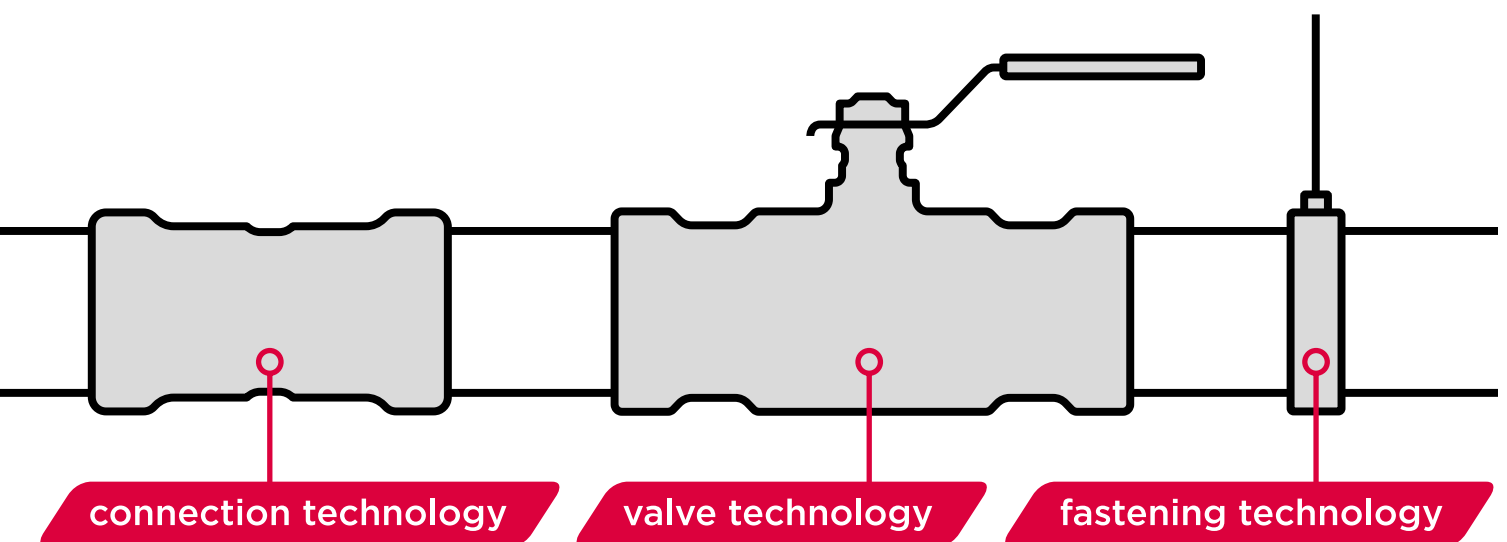
Good is never good enough.

With our sustainable spirit we contribute to circularity every single day. This belief is strongly linked to the way we do business. Rethink, reduce and recycle. We are entrepreneurial and take ownership in everything we do. We are convinced that self-development and diversity is essential.

The Aalberts way, winning with people.

the strength of Aalberts integrated piping systems

- the perfect solution for every project
- smart, fast and efficient installation
- valuable advice from the drawing board to delivery
- a very wide product range



Aalberts integrated piping systems connect: our systems are easy to combine with each other

Aalberts integrated piping systems is the combination of different companies with a strong legacy in their markets. The individual brands are well-known and each represents a long history. Together they offer the best integrated piping system for now and in the future.

our product lines

We offer product ranges that:

- connect seamlessly
- are available in dimensions from 6 mm up to 104" (DN2600)
- can be used for thick-walled pipe and thin-walled metal or plastic tube
- have press, compression, groove and push connections
- can be expanded with valves and accessories
- are BIM ready

Connection technology

VSH

VSH has been supplying quality products for 90 years and delivers piping systems and fittings throughout the world. In the 1970's VSH brought the well-known VSH Super compression fitting on the market which is still a best-seller, followed by the VSH XPress pressfitting, a technology that makes it possible to realize a connection even faster and more reliable.

Shurjoint

The history of Shurjoint dates back to 1974, when the founders produced their first grooved couplings. These first couplings were produced from malleable iron, the casting material of choice at this time. Shurjoint is recognized as a world leader in the design and manufacture of mechanical piping components.

Valve technology

Apollo

Apollo Valves has been supplying the commercial and industrial valve markets since 1928. The valves, with their signature yellow handles, are designed and manufactured in their state-of-the-art facilities in the Carolinas, USA. Apollo's vertical manufacturing integration assures better quality control, better cost control, and the shortest delivery lead times possible for their range of ball valves, automation products, safety relief valves, backflow preventers and plumbing/heating products.

VSH SmartPress



material	stainless steel
suitable for	stainless steel (schedule 5S/10S)
connection	press / V-profile (ASP)
dimensions	½" - 2" (DN15 - DN50)

VSH PowerPress®



material	carbon steel
suitable for	thick-walled steel
connection	press / DW-profile
dimensions	½" - 2" (DN15 - DN50)

VSH SudoPress



material	carbon steel / stainless steel / copper
suitable for	carbon steel / stainless steel / copper
connection	press / V-profile
dimensions	12 - 108 mm (DN10 - DN100)

Apollo Valves



material	brass / bronze / carbon steel / stainless steel
suitable for	steel / carbon steel / stainless steel / copper
connection	threaded / press / push / flange
dimensions	DN15 - DN300

VSH Shurjoint



material	ductile iron / stainless steel
suitable for	thick-walled steel / stainless steel / HDPE
connection	groove
dimensions	½" - 104" (DN15 - DN2600)

VSH Super



material	brass
suitable for	carbon steel / stainless steel / copper / plastic
connection	compression
dimensions	6 - 54 mm (DN4 - DN50)

Seppelfricke



material	brass
suitable for	steel / carbon steel / stainless steel / copper
connection	press (V & M profile) / threaded
dimensions	10 - 54 mm (DN8 - DN50)

Apollo ProFlow



material	brass / ductile iron
suitable for	carbon steel / stainless steel / copper / plastic
connection	threaded / press / flange
dimensions	DN15 - DN300

VSH Tectite



material	copper / brass / stainless steel
suitable for	copper / carbon steel / stainless steel
connection	push
dimensions	10 - 54 mm (DN8 - DN50)

VSH XPress



material	carbon steel / stainless steel / copper / unifer
suitable for	carbon steel / stainless steel / copper / unifer
connection	press / M-profile
dimensions	12 - 108 mm (DN10 - DN100)

VSH UltraLine



material	PPSU / brass / PVDF
suitable for	plastic
connection	sliding sleeve
dimensions	14 - 32 mm (DN10 - DN25)

VSH MultiPress



material	PPSU / brass
suitable for	plastic
connection	press / U & TH profile
dimensions	14 - 63 mm (DN10 - DN50)

VSH XPress Stainless 304: the ideal system for preventing corrosion in heating and cooling systems

The VSH XPress Stainless 304 system consists of stainless steel M-profile press fittings and tube, suitable for heating and cooling, where preventing the risk of corrosion is of great importance.

VSH XPress Stainless 304 consists of press fittings and tubes from 15 to 108 mm and offers a complete, high quality solution with maximum coverage of applications, in addition to our already extensive VSH XPress product range. Being standard equipped with EPDM o-rings, the VSH XPress Stainless 304 range is particularly suitable for heating and cooling applications for residential buildings as well as commercial buildings but is also suitable for industrial applications. VSH XPress Stainless 304 products can also be used for solar installations and compressed air applications. The VSH SudoXPress stainless steel tube 1.4301 (AISI 304) from our existing product range is an excellent choice in combination with fittings from the VSH XPress Stainless 304 product range.

fittings, tubes and valves

VSH XPress Stainless 304 is completing our vast product range of Aalberts integrated piping systems, enabling piping systems from 6 mm to 104" to be built. Our slim designed VSH XPress FullFlow Stainless ball valves are the perfect products to be integrated with a VSH XPress Stainless Steel 304 piping system.





VSH XPress Stainless 304 key features

- an economical and high-quality VSH XPress stainless steel system
- an efficient and corrosion resistant solution for heating and cooling installations
- can be used in combination with our existing VSH SudoXPress stainless steel tube 1.4301 (AISI 304)
- max. 16 bar operating pressure
- EPDM o-ring suitable from -35°C to 135°C, 150°C short term
- additional security with our Leak Before Pressed technology
- existing VSH XPress press tools are suitable
- fast, safe and secure connection technology, already proven in our VSH XPress range
- fully compatible with other Aips-systems





VSH XPress Stainless 304: tube, fittings and valves

With the VSH XPress Stainless 304 system, tubes and fittings are optimally matched by our proven VSH XPress FullFlow Stainless valves to install a complete stainless piping system, minimising the risk of corrosion. All fittings and valves are equipped with the Leak Before Pressed function which ensures that unpressed fittings will leak during the initial pressure test. Once pressed, the system is guaranteed airtight and watertight. VSH XPress Stainless 304 fittings are not suitable for drinking water and gas installations and are therefore clearly marked with a non-drinking water logo to prevent confusion and misinstallation.



VSH XPress Stainless 304 tube

Particularly suitable for

- heating installations
- cooling water installations
- compressed air installations
- solar installations



VSH XPress Stainless 304 fittings

Particularly suitable for

- heating installations
- cooling water installations
- compressed air installations
- solar installations



VSH XPress FullFlow Stainless ball valves

not only suitable for heating and cooling water installations, but also for

- drinking water systems
- solar installations up to 135°C with EPDM o-rings
- industrial applications
- compressed air systems (oil-free)



heating



cooling



compressed air



solar

applications

heating and cooling

VSH XPress Stainless 304 is the best solution for heating and cooling systems. The products undergo the most stringent tests during the production process and are absolutely leak-proof. Thanks to their design and the production process, the fittings have smooth interior surfaces. As a result, they have very low flow resistance and low noise level. The compact fittings are very easy to insulate.

compressed air

VSH XPress Stainless 304 is ideal for compressed air installations. Different types of o-rings are used depending on the oil content. If the compressed air contains mineral or vegetable oil, FPM o-rings must be used.

solar

The VSH XPress Stainless 304 system is equipped with EPDM o-rings that can withstand high temperatures as standard. When even higher temperatures are involved, fittings can be combined with FPM o-rings.



More information on VSH XPress products can be found at www.aalberts-ips.eu/products/vsh-xpress

VSH XPress Stainless 304: excellent for commercial and residential construction

VSH XPress
Stainless 304
can also be used
in industrial
applications

In the building sector in particular, the quality, reliability and safety of VSH XPress Stainless 304 sets it apart from other piping systems. In addition, the scope of applications for VSH XPress Stainless 304 in large-scale and small-scale building projects (residential, commercial or industrial) is unparalleled. In heating and cooling systems, VSH XPress Stainless 304 excels in every building.





VSH XPress
Stainless 304
fittings

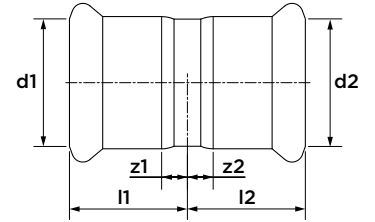


R2753 stainless steel tube 1.4301 (AISI 304)
(6 m length)



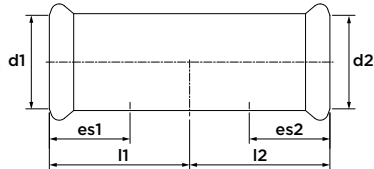
dimension	article no.	DN
15 x 1.0	6193407	12
18 x 1.0	6193418	15
22 x 1.2	6193429	20
28 x 1.2	6193431	25
35 x 1.5	6193440	32
42 x 1.5	6193451	40
54 x 1.5	6193462	50
76.1 x 2.0	6118178	65
88.9 x 2.0	6118189	80
108 x 2.0	6118200	100

R2401 straight coupling
(2 x press)



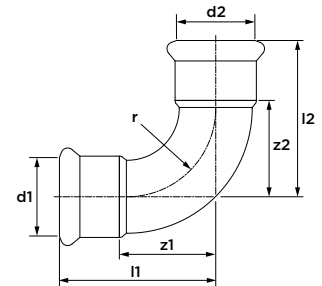
dimension	article no.	l1/l2	z1/z2
15	123460442	25	5
18	123460443	25	5
22	123460444	26	5
28	123460445	28	5
35	123460446	31	5
42	123460447	36	6
54	123460448	41	6
76.1	123460449	71	16
88.9	123460450	82	19
108	123460451	96	19

R2403 slip coupling
(2 x press)



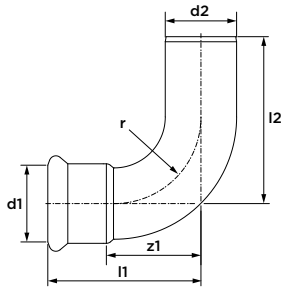
dimension	article no.	l1/l2	es1/es2
15	123460463	40	20
18	123460464	40	20
22	123460465	42	21
28	123460466	46	23
35	123460467	51	26
42	123460468	60	30
54	123460469	70	25
76.1	123460470	115	55
88.9	123460471	129	62
108	123460472	153	77

R2408 bend 90°
(2 x press)



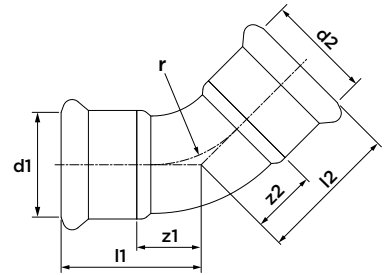
dimension	article no.	l1/l2	z1/z2	r
15	123460512	41	21	18
18	123460513	45	25	22
22	123460514	51	30	27
28	123460515	60	37	34
35	123460516	71	45	42
42	123460517	86	56	51
54	123460518	105	70	65
76.1	123460519	150	95	91
88.9	123460520	174	111	107
108	123460521	215	138	130

R2411 bend 90°
(press x male)



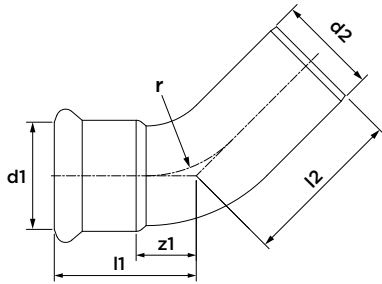
dimension	article no.	l1	l2	z1	r
15	123460525	41	53	21	18
18	123460526	45	51	25	22
22	123460527	51	60	30	27
28	123460528	60	66	37	34
35	123460529	71	76	45	42
42	123460530	86	93	56	51
54	123460531	105	111	70	65
76.1	123460532	150	165	95	91
88.9	123460533	175	190	112	107
108	123460534	216	238	139	130

R2413 bend 45°
(2 x press)



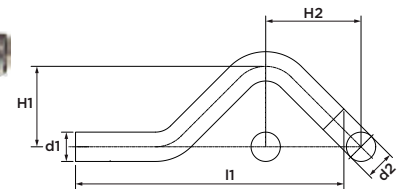
dimension	article no.	l1/l2	z1/z2	r
15	123460545	31	11	18
18	123460546	32	12	22
22	123460547	35	14	27
28	123460548	40	17	34
35	123460549	47	21	42
42	123460550	56	26	51
54	123460551	67	32	65
76.1	123460552	98	43	91
88.9	123460553	112	49	107
108	123460554	138	61	130

R2412 bend 45°
(press x male)



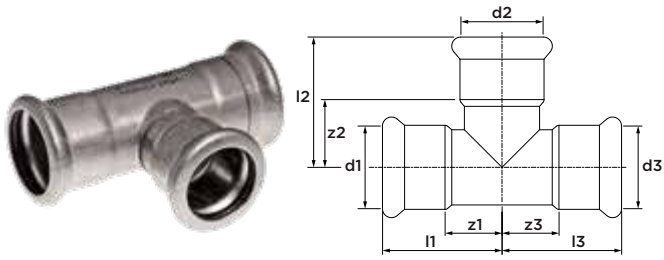
dimension	article no.	l1	l2	z1	r
15	123460535	30	38	10	18
18	123460536	32	39	12	22
22	123460537	35	42	14	27
28	123460538	40	46	17	34
35	123460539	46	51	20	42
42	123460540	56	63	26	51
54	123460541	65	73	30	65
76.1	123460542	98	117	43	91
88.9	123460543	112	131	49	107
108	123460544	138	154	61	130

R2417 crossover
(2 x male)



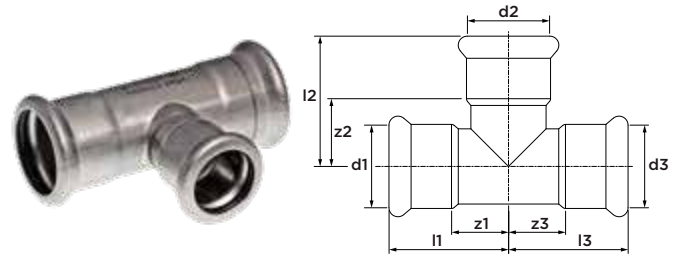
dimension	article no.	l1	H1	H2
Ø15	123460596	142	37	57
Ø18	123460597	150	40	60
Ø22	123460598	163	44	65

R2414 tee
(3 x press)



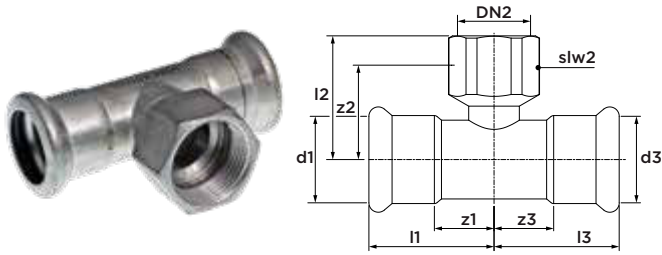
dimension	article no.	l1/l3	l2	z1/z3	z2
15	123460555	35	39	15	19
18	123460556	37	41	17	21
22	123460557	40	44	19	23
28	123460558	45	49	22	26
35	123460559	51	55	25	29
42	123460560	60	62	30	32
54	123460561	71	72	36	37
76.1	123460647	116	115	61	60
88.9	123460562	131	127	68	64
108	123460563	156	155	79	78

R2415 tee reduced
(3 x press)



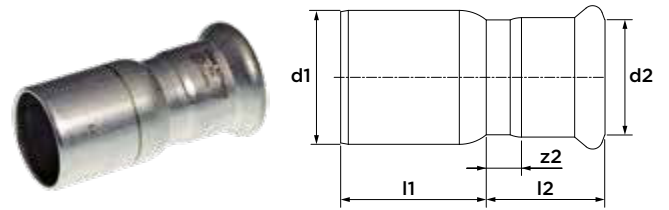
dimension	article no.	l1/l3	l2	z1/z3	z2
18 x 15 x 18	123460564	37	41	17	21
22 x 15 x 22	123460565	40	43	19	23
22 x 18 x 22	123460566	40	43	17	23
28 x 15 x 28	123460567	45	46	22	26
28 x 18 x 28	123460568	45	46	22	26
28 x 22 x 28	123460569	45	47	22	26
35 x 15 x 35	123460570	51	49	25	29
35 x 18 x 35	123460571	51	49	25	29
35 x 22 x 35	123460572	51	50	25	29
35 x 28 x 35	123460573	51	52	25	29
42 x 22 x 42	123460574	60	53	30	32
42 x 28 x 42	123460575	60	55	30	32
42 x 35 x 42	123460576	60	58	30	32
54 x 22 x 54	123460577	71	59	36	38
54 x 28 x 54	123460578	71	61	36	38
54 x 35 x 54	123460579	71	64	36	38
54 x 42 x 54	123460580	71	58	36	28
76.1 x 28 x 76.1	123460581	116	71	61	47
76.1 x 35 x 76.1	123460582	116	75	61	48
76.1 x 42 x 76.1	123460583	116	79	61	47
76.1 x 54 x 76.1	123460584	116	80	61	43
88.9 x 28 x 88.9	123460585	131	76	68	52
88.9 x 35 x 88.9	123460586	131	83	68	56
88.9 x 42 x 88.9	123460587	131	85	68	53
88.9 x 54 x 88.9	123460588	131	93	68	56
88.9 x 76.1 x 88.9	123460589	131	116	68	61
108 x 28 x 108	123460590	156	88	79	64
108 x 35 x 108	123460591	156	94	79	67
108 x 42 x 108	123460592	156	96	79	64
108 x 54 x 108	123460593	156	102	79	65
108 x 76.1 x 108	123460594	156	125	79	70
108 x 88.9 x 108	123460595	156	135	79	72

R2418 tee female branch
(press x female thread x press)



dimension	article no.	l1/l3	l2	z1/z3	z2	slw2
15 x Rp½" x 15	123460599	35	34	15	24	24
18 x Rp½" x 18	123460600	37	35	17	25	24
22 x Rp½" x 22	123460601	40	37	19	27	24
22 x Rp¾" x 22	123460602	40	39	19	28	30
28 x Rp½" x 28	123460603	45	40	22	30	24
28 x Rp¾" x 28	123460604	45	42	22	31	30
28 x Rp1" x 28	123460605	45	46	22	33	38
35 x Rp½" x 35	123460606	51	44	25	34	24
35 x Rp¾" x 35	123460607	51	46	25	35	30
42 x Rp½" x 42	123460608	60	46	30	36	24
42 x Rp¾" x 42	123460609	60	48	30	37	30
54 x Rp½" x 54	123460610	71	52	36	42	24
54 x Rp¾" x 54	123460611	71	54	36	43	30
76.1 x Rp¾" x 76.1	123460612	116	68	61	55	30
88.9 x Rp¾" x 88.9	123460613	131	87	68	74	30
108 x Rp¾" x 108	123460614	156	86	79	73	30

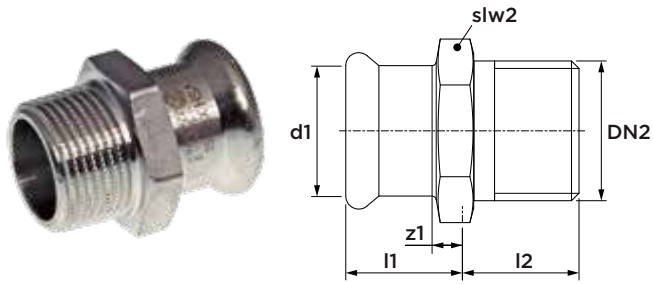
R2407 reducer
(male x press)



dimension	article no.	l1	l2	z2
Ø18 x 15	123460492	28	27	7
Ø22 x 15	123460493	33	28	8
Ø22 x 18	123460494	30	28	8
Ø28 x 15	123460495	40	28	8
Ø28 x 18	123460496	38	28	8
Ø28 x 22	123460497	34	29	8
Ø35 x 22	123460498	42	29	8
Ø35 x 28	123460499	38	31	8
Ø42 x 22	123460500	53	33	12
Ø42 x 28	123460501	51	31	8
Ø42 x 35	123460502	42	34	8
Ø54 x 22	123460503	66	33	12
Ø54 x 28	123460504	62	34	11
Ø54 x 35	123460505	60	34	8
Ø54 x 42	123460506	55	40	10
Ø76.1 x 54	123460507	98	42	7
Ø88.9 x 54	123460508	114	42	7
Ø88.9 x 76.1	123460509	88	68	13
Ø108 x 76.1	123460510	127	69	14
Ø108 x 88.9	123460511	113	77	14

R2405 straight connector

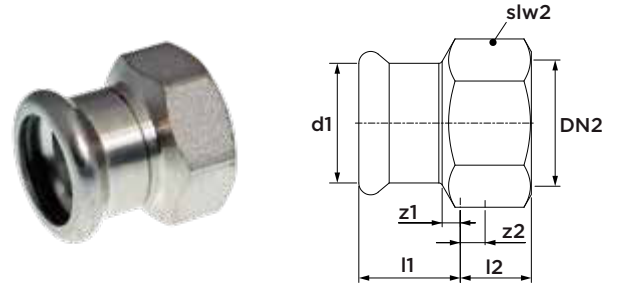
(press x male thread)



dimension	article no.	l1	l2	z1	slw2
15 x R½"	123460479	23	17	3	24
18 x R½"	123460480	23	15	3	27
18 x R¾"	123460481	24	17	4	27
22 x R½"	123460483	27	15	6	32
22 x R¾"	123460484	27	16	6	32
22 x R1"	123460482	29	20	8	34
28 x R1"	123460485	28	20	5	38
35 x R1"	123460486	33	20	7	45
35 x R1¼"	123460487	33	22	7	49
42 x R1½"	123460488	37	22	7	54
54 x R2"	123460489	43	26	8	67
76.1 x R2½"	123460490	64	33	9	82
88.9 x R3"	123460491	73	36	10	95

R2402 straight connector

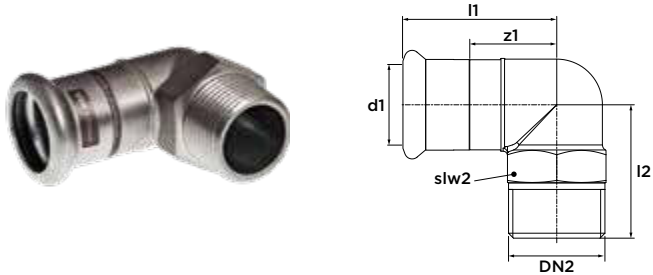
(press x female thread)



dimension	article no.	l1	l2	z1	z2	slw2
15 x Rp½"	123460452	22	15	2	5	24
18 x Rp½"	123460453	22	15	2	5	27
18 x Rp¾"	123460454	22	17	2	6	30
22 x Rp½"	123460455	21	15	0	5	32
22 x Rp¾"	123460456	23	17	2	6	32
28 x Rp¾"	123460457	23	17	0	6	38
28 x Rp1"	123460458	25	20	2	7	38
35 x Rp1"	123460459	27	20	1	7	46
35 x Rp1¼"	123460460	28	22	2	7	46
42 x Rp1½"	123460461	32	22	2	8	54
54 x Rp2"	123460462	37	26	2	8	67

R2428 angle adapter 90°

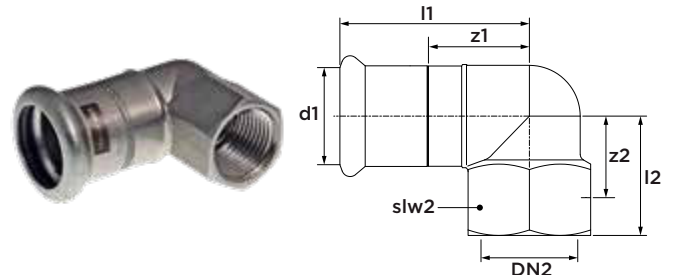
(press x male thread)



dimension	article no.	l1	l2	z1	slw2
15 x R½"	123460621	43	31	23	22
18 x R½"	123460622	44	32	24	24
22 x R¾"	123460623	49	39	28	30
28 x R1"	123460624	53	46	30	34

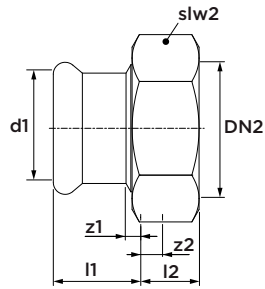
R2409 angle adapter 90°

(press x female thread)



dimension	article no.	l1	l2	z1	z2	slw2
15 x Rp½"	123460522	44	28	24	13	24
22 x Rp¾"	123460523	49	33	28	17	30
28 x Rp1"	123460524	55	37	32	24	38

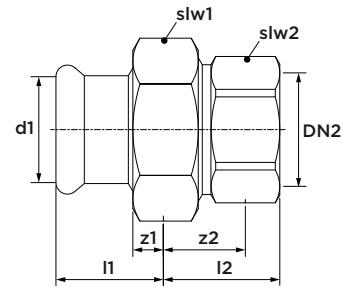
R2404 coupling with nut
(press x female thread)



dimension	article no.	l1	l2	z1	z2	slw2
15 x G $\frac{3}{4}$ "	123460648	29	8	9	2	30
18 x G $\frac{3}{4}$ "	123460473	29	8	9	2	30
22 x G1"	123460474	30	10	9	2	37
28 x G1 $\frac{1}{4}$ "	123460475	31	10	8	2	46
35 x G1 $\frac{1}{2}$ "	123460476	34	11	8	2	52
42 x G1 $\frac{3}{4}$ "	123460477	41	11	11	2	58
54 x G2 $\frac{3}{8}$ "	123460478	47	11	12	3	75

including flat seal

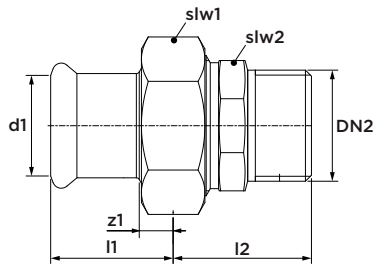
R2438 straight union
(press x female thread)



dimension	article no.	l1	l2	z1	z2	slw1	slw2
15 x Rp $\frac{1}{2}$ "	123460641	29	28	9	18	30	24
22 x Rp $\frac{3}{4}$ "	123460642	30	33	9	22	37	30
28 x Rp1"	123460643	31	34	8	21	46	38
35 x Rp1 $\frac{1}{4}$ "	123460644	34	39	8	24	52	46
42 x Rp1 $\frac{1}{2}$ "	123460645	41	41	11	27	58	54
54 x Rp2"	123460646	47	44	12	26	75	67

including flat seal

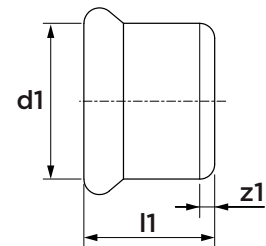
R2435 straight union
(press x male thread)



dimension	article no.	l1	z1	l2	slw1	slw2
15 x R $\frac{1}{2}$ "	123460635	29	9	33	30	25
22 x R $\frac{3}{4}$ "	123460636	30	9	29	37	32
28 x R1"	123460637	31	8	42	46	39
35 x R1 $\frac{1}{4}$ "	123460638	34	8	44	52	49
42 x R1 $\frac{1}{2}$ "	123460639	41	11	44	58	51
54 x R2"	123460640	47	12	53	75	65

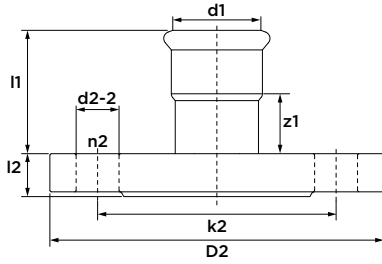
including flat seal

R2429 stop end
(1 x press)



dimension	article no.	l1	z1
15	123460625	23	3
18	123460626	23	3
22	123460627	24	3
28	123460628	26	3
35	123460629	29	3
42	123460630	37	7
54	123460631	42	7
76.1	123460632	95	40
88.9	123460633	107	44
108	123460634	127	50

R2426 flanged connector PN 10/16
(1 x press)



dimension	DN	article no.	l1	l2	z1	k2	D2	d2-2	n2
35	32	123460615	51	17	26	100	140	18	4
42	40	123460616	59	18	29	110	150	18	4
54	50	123460617	69	18	34	125	165	18	4
76.1	65	123460618	108	18	53	145	185	18	4
88.9	80	123460619	127	20	64	160	200	18	8
108	100	123460620	147	20	70	180	220	18	8

C1451 o-ring Leak Before Pressed (LBP)
(black, EPDM) for carbon steel and stainless steel



dimension	article no.
15	6222216
18	6222227
22	6222238
28	6222249
35	6222251
42	6222260
54	6222271

R2760 o-ring
(black, EPDM) for carbon steel and stainless steel



dimension	article no.
76.1	6208015
88.9	6208026
108	6208037

C1452 flat seal
(black, EPDM) for carbon steel and stainless steel



dimension	article no.
15-18 (G¾")	6228013
22 (G1")	6228024
28 (G1¼")	6228035
35 (G1½")	6228046
42 (G1¾")	6228057
54 (G2¾")	6228068

R2764 o-ring (LBP) for special applications
(green, FPM) for carbon steel and stainless steel



dimension	article no.
15	6119401
18	6119410
22	6119421
28	6119432
35	6119443
42	6119454
54	6119465

R2761 o-ring for special applications
(green, FPM) for carbon steel and stainless steel



dimension	article no.
76.1	6119377
88.9	6119388
108	6119399

R2767 flat seal for special applications
(green, FPM) for carbon steel and stainless steel



dimension	article no.
15-18 (G $\frac{3}{4}$ "")	6118301
22 (G1"")	6118310
28 (G1 $\frac{1}{4}$ "")	6118321
35 (G1 $\frac{1}{2}$ "")	6118332
42 (G1 $\frac{3}{4}$ "")	6118343
54 (G2 $\frac{3}{8}$ "")	6118354





VSH XPress
FullFlow Stainless
ball valves

VSH XPress
DN25
28x28
FullFlow
ASSEMBLY

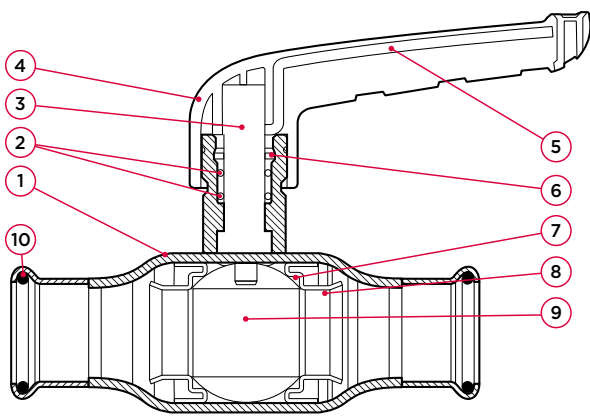
VSH XPress
DN25
28x28
FullFlow
ASSEMBLY

XPR20100 VSH XPress FullFlow Stainless ball valve
(2 x press)



specifications

- 100% full flow
- compact, one piece design
- maximum pressure 16 bar
- operating temperature -35 to 135°C
- interchangeable coloured identification clips
- M-profile



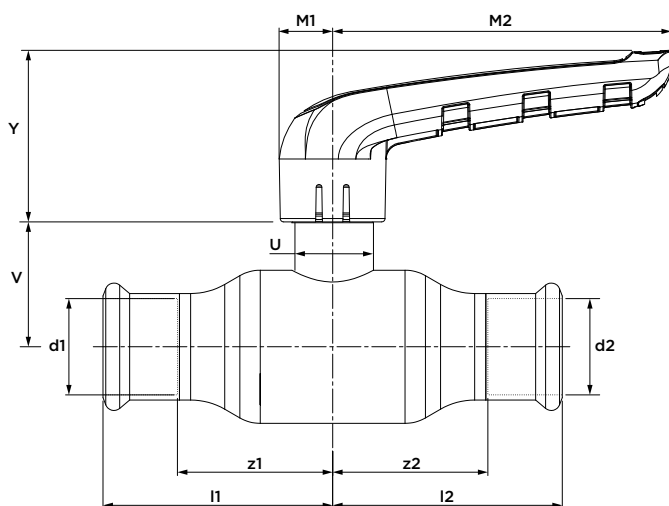
no.	component	material
1	body	stainless steel (1.4401)
2	o-ring	EPDM
3	stem	stainless steel (1.4401)
4	handle	fiberglass reinforced nylon (PA66)
5	handle reinforcement	stainless steel (1.4401)
6	friction ring	PTFE
7	seal	PTFE
8	support ring	stainless steel (1.4401)
9	ball	stainless steel (1.4401)
10	o-ring	EPDM

maximum pressure [bar]

operating pressure	test pressure shell	test pressure seat
16	24	17.6

pressure equipment directive category

all sizes	SEP
-----------	-----



dimension	article no.	weight [kg]	Kvs [m³/h]	l1/l2	z1/z2	Y	V	U	M1	M2
15 (DN10)	201 0000 100	0.17	13	47	27	38	26	18	12	75
18 (DN15)	201 5000 100	0.21	21.1	52	32	38	28	18	12	75
22 (DN20)	202 0000 100	0.21	37.1	61	40	38	31	18	12	75
28 (DN25)	202 5000 100	0.55	65.5	68	45	50	37	24	15	100
35 (DN32)	203 2000 100	0.86	90.7	81	55	50	43	24	15	100
42 (DN40)	204 0000 100	1.39	141.5	99	70	59	47	28	18	119
54 (DN50)	105 0000 100	2.32	308.4	113	79	59	55	28	18	119

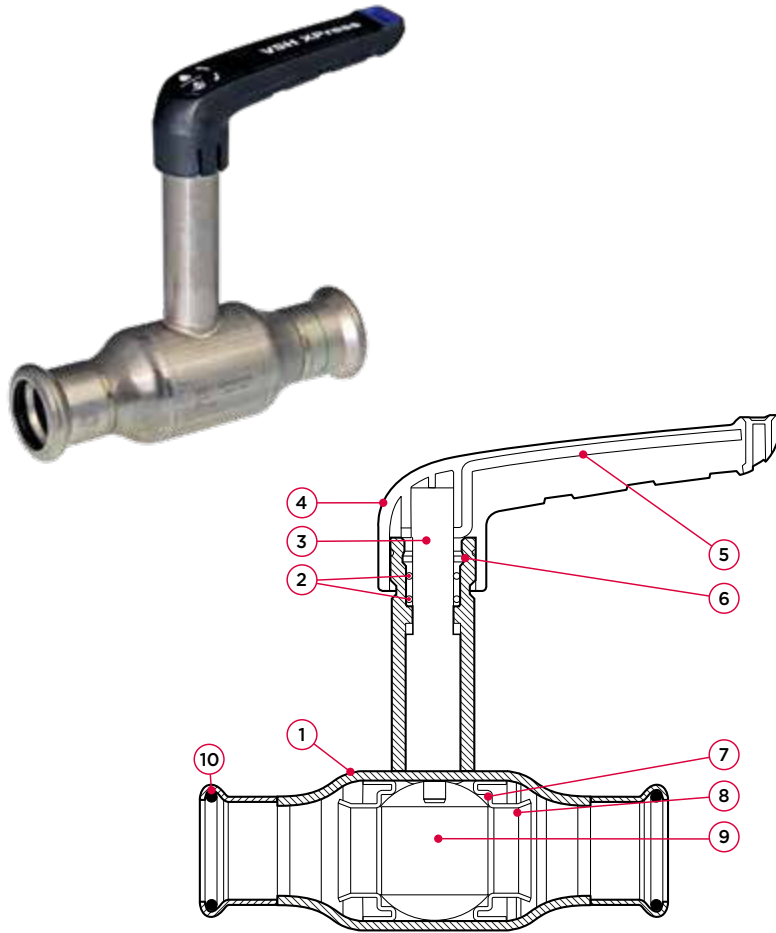
XPR20101 VSH XPress FullFlow Stainless ball valve with extended stem

(2 x press)



specifications

- 100% full flow
- compact, one piece design
- maximum pressure 16 bar
- operating temperature -35 to 135°C
- interchangeable coloured identification clips
- M-profile



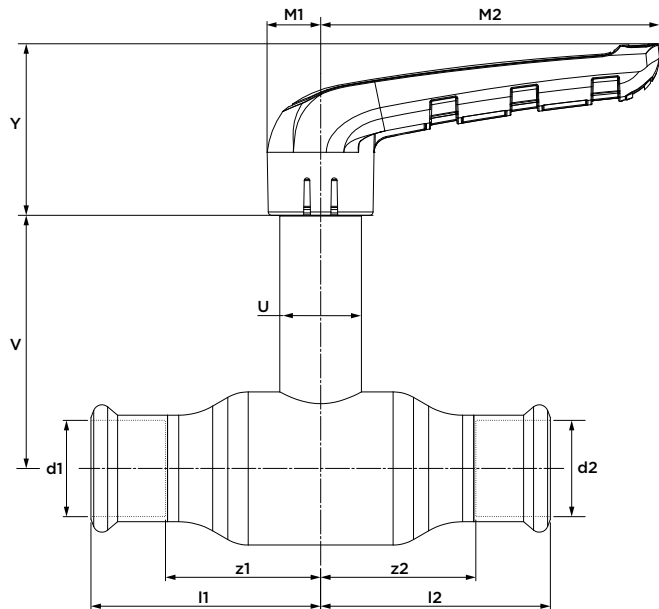
no.	component	material
1	body	stainless steel (1.4401)
2	o-ring	EPDM
3	stem	stainless steel (1.4401)
4	handle	fiberglass reinforced nylon (PA66)
5	handle reinforcement	stainless steel (1.4401)
6	friction ring	PTFE
7	seal	PTFE
8	support ring	stainless steel (1.4401)
9	ball	stainless steel (1.4401)
10	o-ring	EPDM

maximum pressure [bar]

operating pressure	test pressure shell	test pressure seat
16	24	17,6

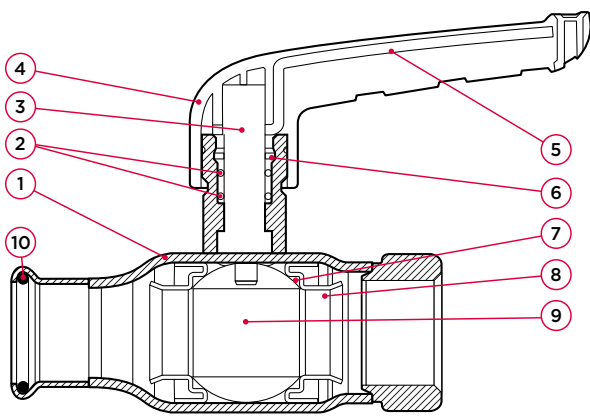
pressure equipment directive category

all sizes	SEP
-----------	-----



dimension.	article no.	weight [kg]	Kvs [m ³ /h]	l1/l2	z1/z2	Y	V	U	M1	M2
15 (DN10)	201 0000 101	0.25	13	47	27	38	68	18	12	75
18 (DN15)	201 5000 101	0.29	21.1	52	32	38	70	18	12	75
22 (DN20)	202 0000 101	0.30	37.1	61	40	38	73	18	12	75
28 (DN25)	202 5000 101	0.68	65.5	68	45	50	74	24	15	100
35 (DN32)	203 2000 101	0.99	90.7	81	55	50	80	24	15	100
42 (DN40)	204 0000 101	1.62	141.5	99	70	59	98	28	18	119
54 (DN50)	205 0000 101	2.55	308.4	113	79	59	106	28	18	119

XPR21000 VSH XPress FullFlow Stainless ball valve
(press x female thread)



specifications

- 100% full flow
- compact, one piece design
- maximum pressure 16 bar
- operating temperature -35 to 135°C
- interchangeable coloured identification clips
- M-profile

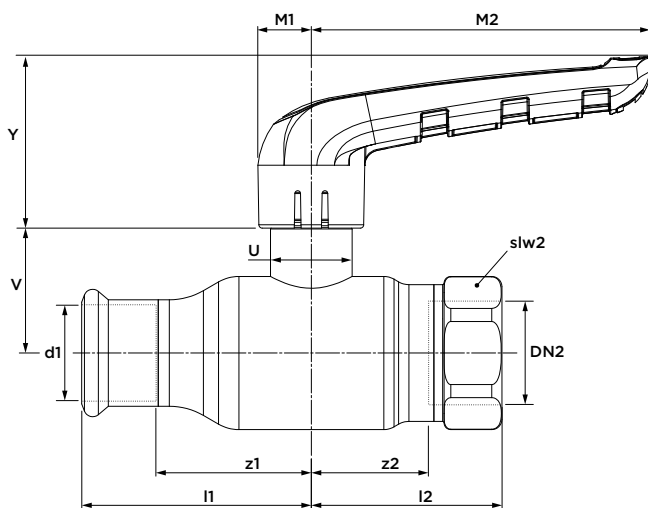
no.	component	material
1	body	stainless steel (1.4401)
2	o-ring	EPDM
3	stem	stainless steel (1.4401)
4	handle	fiberglass reinforced nylon (PA66)
5	handle reinforcement	stainless steel (1.4401)
6	friction ring	PTFE
7	seal	PTFE
8	support ring	stainless steel (1.4401)
9	ball	stainless steel (1.4401)
10	o-ring	EPDM

maximum pressure [bar]

operating pressure	test pressure shell	test pressure seat
16	24	17.6

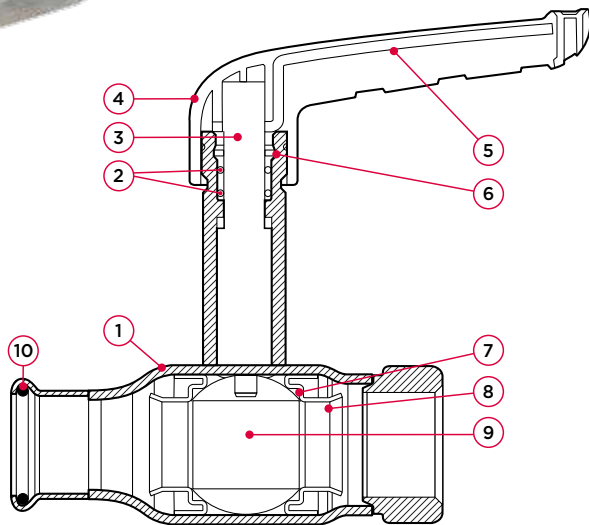
pressure equipment directive category

all sizes	SEP
-----------	-----



dimension	article no.	weight [kg]	Kvs [m³/h]	l1	l2	z1	z2	slw2	Y	V	U	M1	M2
15 x G1"/2" (DN10)	201 0001 010	0.19	13	47	38	28	27	27	38	26	18	12	75
18 x G¾" (DN15)	201 5001 010	0.25	21.1	52	43	32	32	32	38	28	18	12	75
22 x G¾" (DN20)	202 0001 000	0.30	37.1	61	52	40	36	36	38	31	18	12	75
28 x G1" (DN25)	202 5001 000	0.61	65.5	68	56	45	37	41	50	37	24	15	100
35 x G1½" (DN32)	203 2001 000	0.97	90.7	81	67	55	46	50	50	43	24	15	100
42 x G1½" (DN40)	204 0001 000	1.53	141.5	99	78	69	57	56	59	47	28	18	119
54 x G2" (DN50)	205 0001 000	2.62	308.4	113	96	79	69	69	59	55	28	18	119

XPR21001 VSH XPress FullFlow Stainless ball valve with extended stem
(press x female thread)



specifications

- 100% full flow
- compact, one piece design
- maximum pressure 16 bar
- operating temperature -35 to 135°C
- interchangeable coloured identification clips
- M-profile

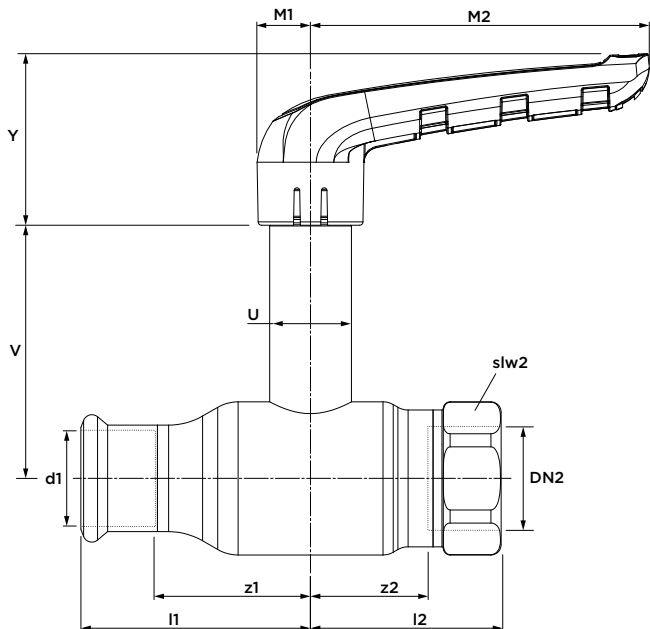
no.	component	material
1	body	stainless steel (1.4401)
2	o-ring	EPDM
3	stem	stainless steel (1.4401)
4	handle	fiberglass reinforced nylon (PA66)
5	handle reinforcement	stainless steel (1.4401)
6	friction ring	PTFE
7	seal	PTFE
8	support ring	stainless steel (1.4401)
9	ball	stainless steel (1.4401)
10	o-ring	EPDM

maximum pressure [bar]

operating pressure	test pressure shell	test pressure seat
16	24	17.6

pressure equipment directive category

all sizes	SEP
-----------	-----



dimension	article no.	weight [kg]	Kvs [m³/h]	l1	l2	z1	z2	slw2	Y	V	U	M1	M2
15 x G1"/2" (DN10)	201 0001 011	0.28	13	47	38	28	27	27	38	68	18	12	75
18 x G¾" (DN15)	201 5001 011	0.33	21.1	52	43	32	32	32	38	70	18	12	75
22 x G¾" (DN20)	202 0001 001	0.38	37.1	61	52	40	36	36	38	73	18	12	75
28 x G1" (DN25)	202 5001 001	0.74	65.5	68	56	45	37	41	50	74	24	15	100
35 x G1½" (DN32)	203 2001 001	1.11	90.7	81	67	55	46	50	50	80	24	15	100
42 x G1½" (DN40)	204 0001 001	1.75	141.5	99	78	69	57	56	59	98	28	18	119
54 x G2" (DN50)	205 0001 001	2.84	308.4	113	96	79	69	69	59	106	28	18	119

XPR21400 VSH XPress Stainless FullFlow ball valve
(press x union nut)



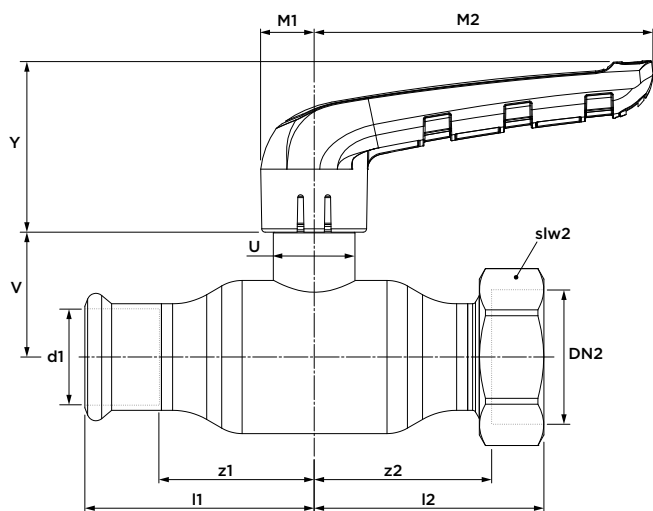
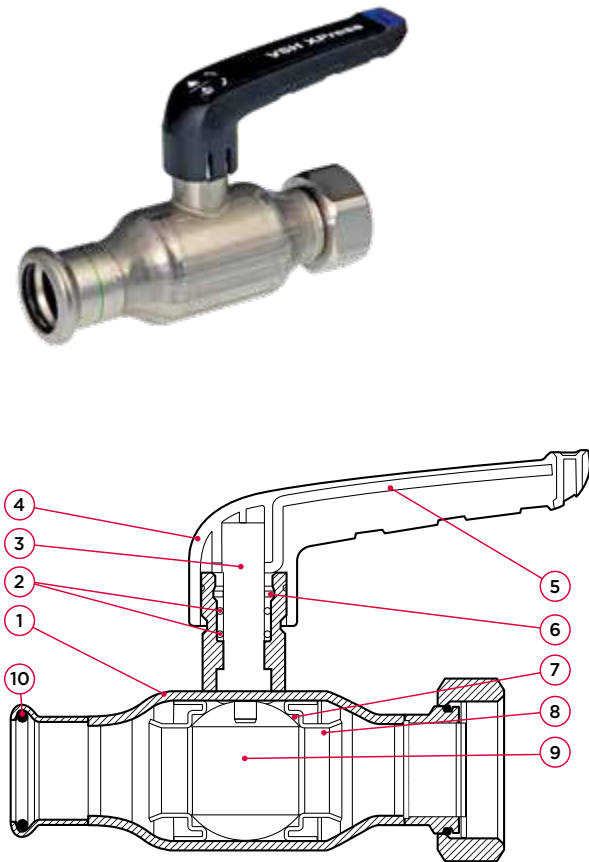
specifications

- 100% full flow
- compact, one piece design
- max. pressure 16 bar
- operating temperature -35 to 135°C
- interchangeable coloured identification clips
- M-profile

no.	component	material
1	valve housing	stainless steel (1.4401)
2	o-ring	EPDM
3	stem	stainless steel (1.4401)
4	handle	fiberglass reinforced nylon (PA66)
5	handle reinforcement	stainless steel (1.4401)
6	friction ring	PTFE
7	seal	PTFE
8	support ring	stainless steel (1.4401)
9	ball	stainless steel (1.4401)
10	o-ring	EPDM

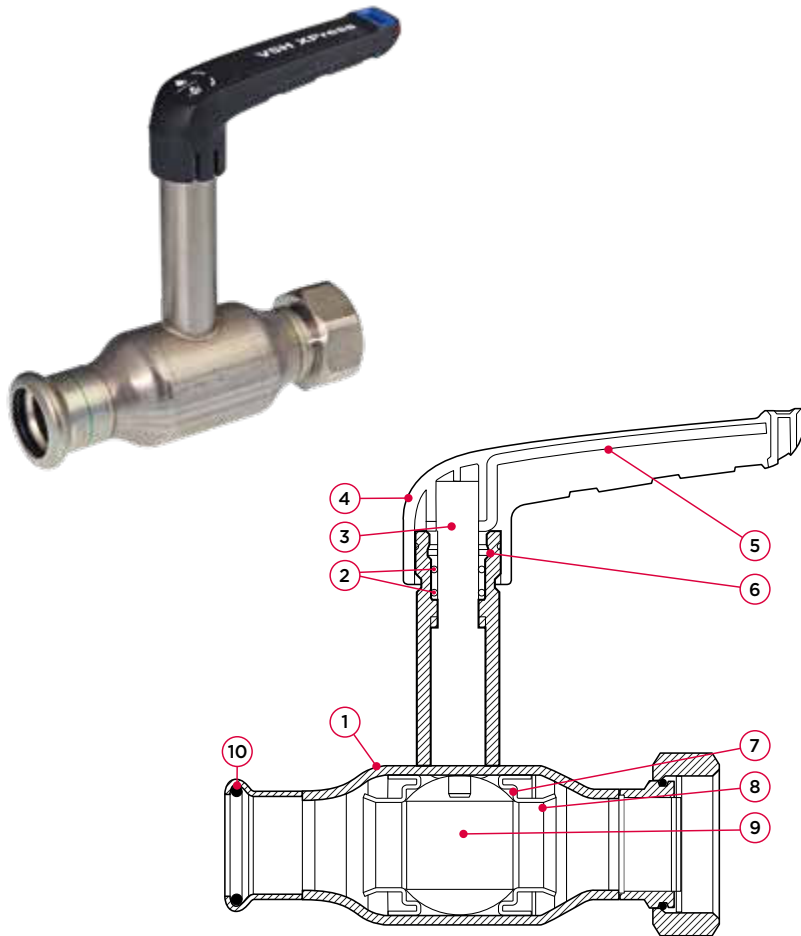
maximum pressure [bar]		
operating pressure	test pressure shell	test pressure seat
16	24	17,6

pressure equipment directive category	
all sizes	SEP



dimension	article no.	weight [kg]	Kvs [m³/h]	l1	l2	z1	z2	Y	M1	M2	V	U [Ø]	slw2
15 x G¾" (DN10)	201 0001 410	0.22	13	47	59	28	49	38	12	75	26	18	27
18 x G¾" (DN15)	201 5001 400	0.26	21.1	52	53	32	44	38	12	75	28	18	32
22 x G¾" (DN20)	202 0001 410	0.28	37.1	61	72	41	62	38	12	75	31	18	32
28 x G1¼" (DN25)	202 5001 400	0.65	65.5	68	67	46	55	50	15	100	37	24	46
35 x G1½" (DN32)	203 2001 400	0.97	90.7	81	79	56	67	50	15	100	43	24	52
42 x G1¾" (DN40)	204 0001 400	1.51	141.5	99	92	70	81	59	18	119	47	28	58
54 x G2¼" (DN50)	205 0001 400	2.57	308.4	113	106	79	93	59	18	119	55	28	72

XPR21401 VSH XPress FullFlow Stainless ball valve with extended stem
(press x union nut)



specifications

- 100% full flow
- compact, one piece design
- max. pressure 16 bar
- operating temperature -35 to 135°C
- interchangeable coloured identification clips
- M-profile

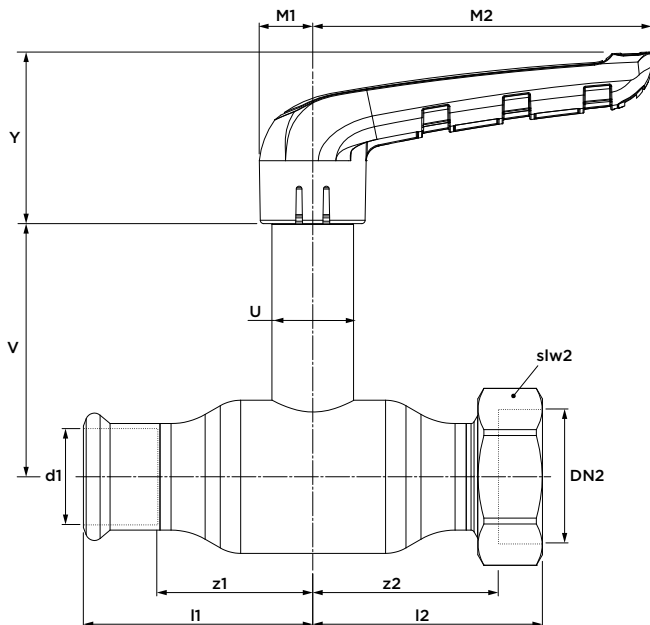
no.	component	material
1	valve housing	stainless steel (1.4401)
2	o-ring	EPDM
3	stem	stainless steel (1.4401)
4	handle	fiberglass reinforced nylon (PA66)
5	handle reinforcement	stainless steel (1.4401)
6	friction ring	PTFE
7	seal	PTFE
8	support ring	stainless steel (1.4401)
9	ball	stainless steel (1.4401)
10	o-ring	EPDM

maximum pressure [bar]

operating pressure	test pressure shell	test pressure seat
16	24	17.6

pressure equipment directive category

all sizes	SEP
-----------	-----



dimension	article no.	weight [kg]	Kvs [m³/h]	l1	l2	z1	z2	Y	M1	M2	V	U	slw2
15 x G¾" (DN10)	201 0001 411	0.30	13	47	59	28	49	38	12	75	68	18	27
18 x G¾" (DN15)	201 5001 401	0.35	21.1	52	53	32	44	38	12	75	70	18	32
22 x G¾" (DN20)	202 0001 411	0.36	37.1	61	72	41	62	38	12	75	73	18	32
28 x G1¼" (DN25)	202 5001 401	0.78	65.5	68	67	46	55	50	15	100	74	24	46
35 x G1½" (DN32)	203 2001 401	1.11	90.7	81	79	56	67	50	15	100	80	24	52
42 x G1¾" (DN40)	204 0001 401	1.73	141.5	99	92	70	81	59	18	119	98	28	58
54 x G2¼" (DN50)	205 0001 401	2.79	308.4	113	106	79	93	59	18	119	106	28	72

more information?

For a complete and up-to-date product range and our additional services, visit: www.aalberts-ips.eu

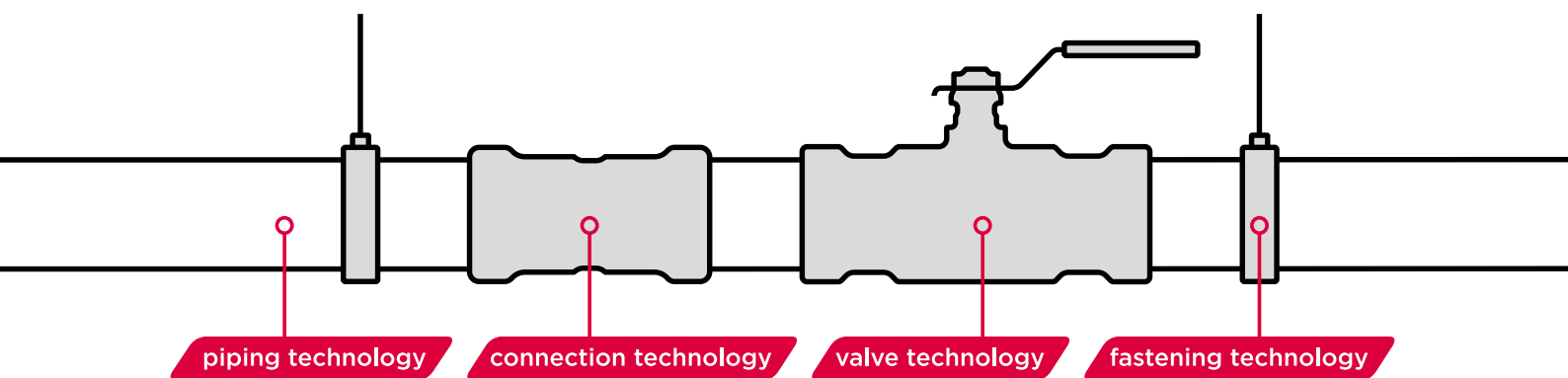
Would you like to make an appointment to meet an account manager in your region or receive advice and support from one of our experts?

Please contact:

Aalberts integrated piping systems Customer Service

+31 (0)35 68 84 330

salesupport.emea@aalberts-ips.com



Aalberts integrated piping systems B.V.

Oude Amersfoortseweg 99 / 1212 AA Hilversum

P.O. Box 498 / 1200 AL Hilversum

The Netherlands

www.aalberts-ips.eu